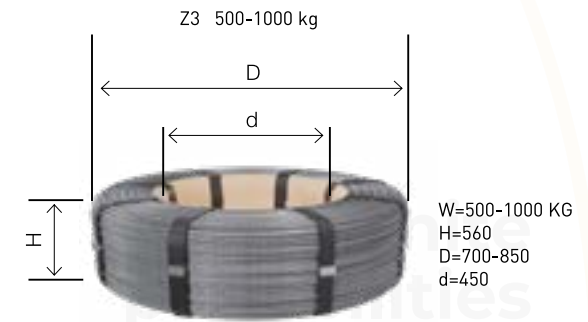
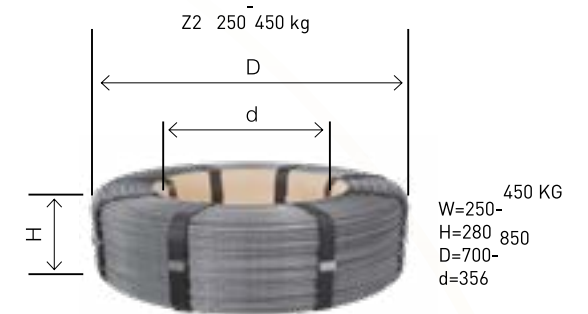


Technical Specifications

DIA (mm)	COATING		1570 N/mm ²		1770 N/mm ²		1960 N/mm ²	
0.20	Phosphated	Galvanized						
0.25	Phosphated	Galvanized					1960	Patented
0.30	Phosphated	Galvanized				1770	Patented	1960
0.35	Phosphated	Galvanized	1570	Patented	1770	Patented	1960	Patented
0.40	Phosphated	Galvanized	1570	Patented	1770	Patented	1960	Patented
0.45	Phosphated	Galvanized	1570	Patented	1770	Patented	1960	Patented
0.50	Phosphated	Galvanized	1570	Patented	1770	Patented	1960	Patented
0.55	Phosphated	Galvanized	1570	Patented	1770	Patented	1960	Patented
0.60	Phosphated	Galvanized	1570	Patented	1770	Patented	1960	Patented
0.65	Phosphated	Galvanized	1570	Patented	1770	Patented	1960	Patented
0.70	Phosphated	Galvanized	1570	Patented	1770	Patented	1960	Patented
0.75	Phosphated	Galvanized	1570	Patented	1770	Patented	1960	Patented
0.80	Phosphated	Galvanized	1570	Patented	1770	Patented	1960	Patented
0.90	Phosphated	Galvanized	1570	Patented	1770	Patented	1960	Patented
1.00	Phosphated	Galvanized	1570	Patented	1770	Patented - W/R	1960	Patented - W/R
1.10	Phosphated	Galvanized	1570	Patented - W/R	1770	Patented - W/R	1960	Patented - W/R
1.20	Phosphated	Galvanized	1570	Patented - W/R	1770	Patented - W/R	1960	Patented - W/R
1.30	Phosphated	Galvanized	1570	Patented - W/R	1770	Patented - W/R	1960	Patented - W/R
1.40	Phosphated	Galvanized	1570	Patented - W/R	1770	Patented - W/R	1960	Patented - W/R
1.50	Phosphated	Galvanized	1570	Patented - W/R	1770	Patented - W/R	1960	Patented - W/R
1.60	Phosphated	Galvanized	1570	Patented - W/R	1770	Patented - W/R	1960	Patented - W/R
1.70	Phosphated	Galvanized	1570	Patented - W/R	1770	Patented - W/R	1960	Patented - W/R
1.80	Phosphated	Galvanized	1570	Patented - W/R	1770	Patented - W/R	1960	Patented - W/R

BS60-METAL CABLE DRUM

2160 N/mm ²		PACKING	
2160	Patented	BS60 Reel	250 - 450 kg Z2
2160	Patented	BS60 Reel	250 - 450 kg Z2
2160	Patented	BS60 Reel	250 - 450 kg Z2
2160	Patented	BS60 Reel	250 - 450 kg Z2
2160	Patented	BS60 Reel	250 - 450 kg Z2
2160	Patented	BS60 Reel	250 - 450 kg Z2
2160	Patented	BS60 Reel	250 - 450 kg Z2
2160	Patented	BS60 Reel	250 - 450 kg Z2
2160	Patented	BS60 Reel	250 - 450 kg Z2
2160	Patented	BS60 Reel	250 - 450 kg Z2
2160	Patented	BS60 Reel	250 - 450 kg Z2
2160	Patented		250 - 450 kg Z2
2160	Patented		250 - 450 kg Z2
2160	Patented - W/R		250 - 450 kg Z2
2160	Patented - W/R		250 - 450 kg Z2
2160	Patented - W/R		250 - 450 kg Z2
2160	Patented - W/R		
2160	Patented - W/R		
2160	Patented - W/R		
			500 - 1000 kg Z3
			500 - 1000 kg Z3
			500 - 1000 kg Z3



Metalic Spool 25 kg

- K = 255
- L = 117
- M = 167
- N = 153
- O = 16 & 33
- Q = 43
- P = 3X13

